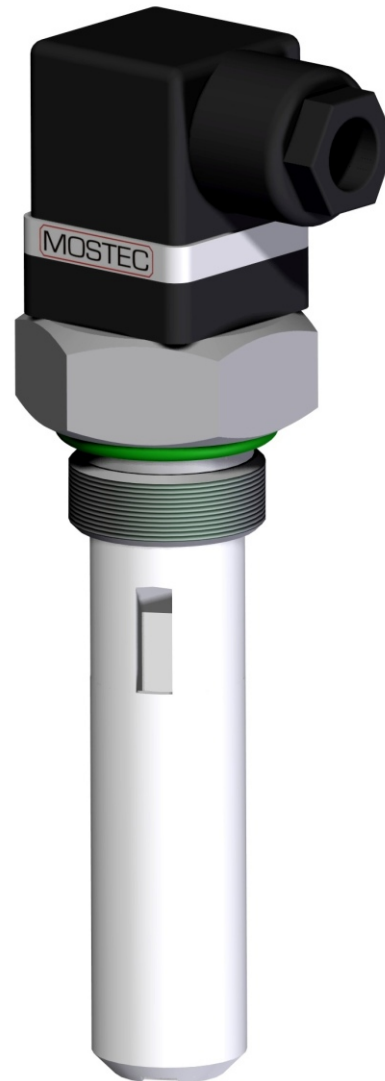


Conductivity Cell Type M8836S-10

Typical Application

CIP-/ SIP-Cleaning

Cooling Tower Monitoring



Technical description

The conductivity cell M8836S10 is used for water and waste water measurements in batch and continuous applications. They are used e.g. in chromatography, water purification fermentation and general chemical processes.

The accuracy is 3% in the temperature range of -30...100°C.

The cell constant K is 10.0 for the measuring range of 0.05...200mS. It is unsuitable for waste water with conductive dirty particles.

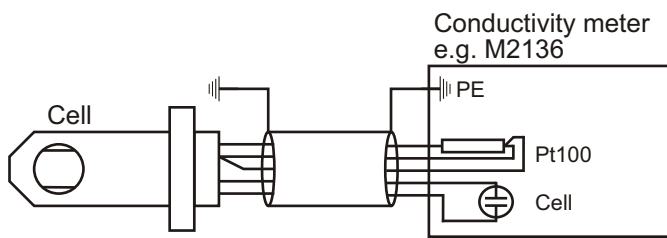
The insulating parts are made in PVDF and leak proofing is guaranteed by chemically resistant O-rings seals.

A build in Pt-100 (RTD) temperature sensor enables automatic temperature compensation.

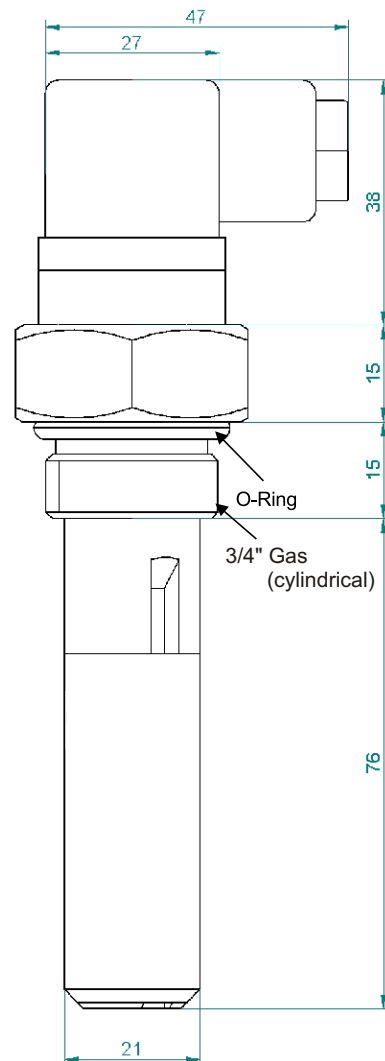
Technical Data

Range:	0.05...200.0mS
Cell constant:	K=10.0
Accuracy:	± 3%
Temperature range:	-30...100°C
Internal temperature sensor:	Pt-100, 2-wire, 3-wire from cell connector, see wiring
Time constant temperature sensor:	30 sec
Electrode holder:	PVDF
Electrode body:	Graphite, low polarisation
Thread:	3/4" cylindrical gas, with O-ring
Wrench dimension:	36mm
Max. pressure:	6 bar
Probe diameter:	21mm
Probe depth:	76mm
Connector:	DIN 40050, Ip67, cable connector included
Max. cable outside diameter:	7.5mm, use shielded cable only
Max. cable length:	33m with 1.5mm ² , 50m with 2.5mm ²
Options:	- other temperature sensor - other length of the cell shaft - customer specific modifications

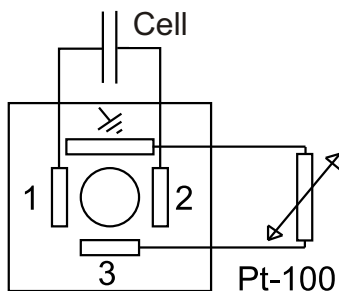
Cell connecting diagram:



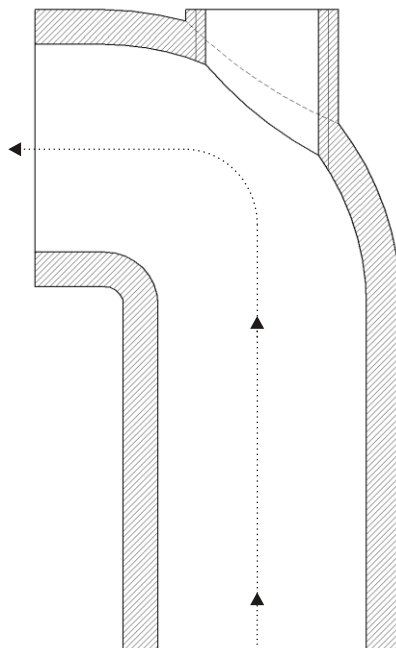
Cell dimensions (mm):



Wiring:



Flow:



MOSTEC

Mess- und Regeltechnik
Lausenerstrasse 13a
CH-4410 Liestal
Switzerland
Tel. +41 61 921 40 90
Fax +41 61 921 40 83